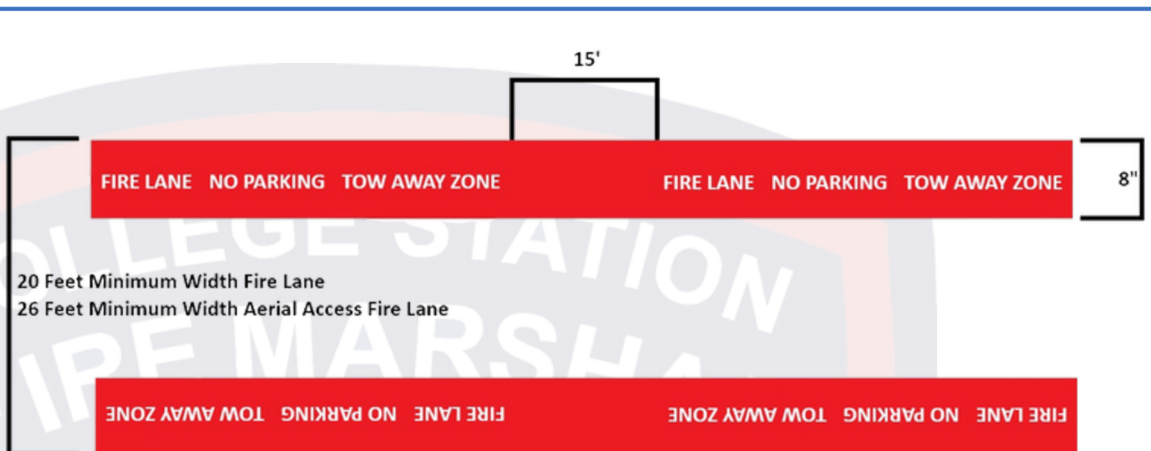


## Fire Lane Requirements

Approved fire apparatus access roads shall be provided for every facility, building or portion of a building hereafter constructed or moved into or within the jurisdiction. The fire apparatus access road shall comply with the requirements of this section and shall extend to within 150 feet (45 720 mm) of all portions of the facility and all portions of the exterior walls of the first story of the building as measured by an approved route around the exterior of the building or facility.

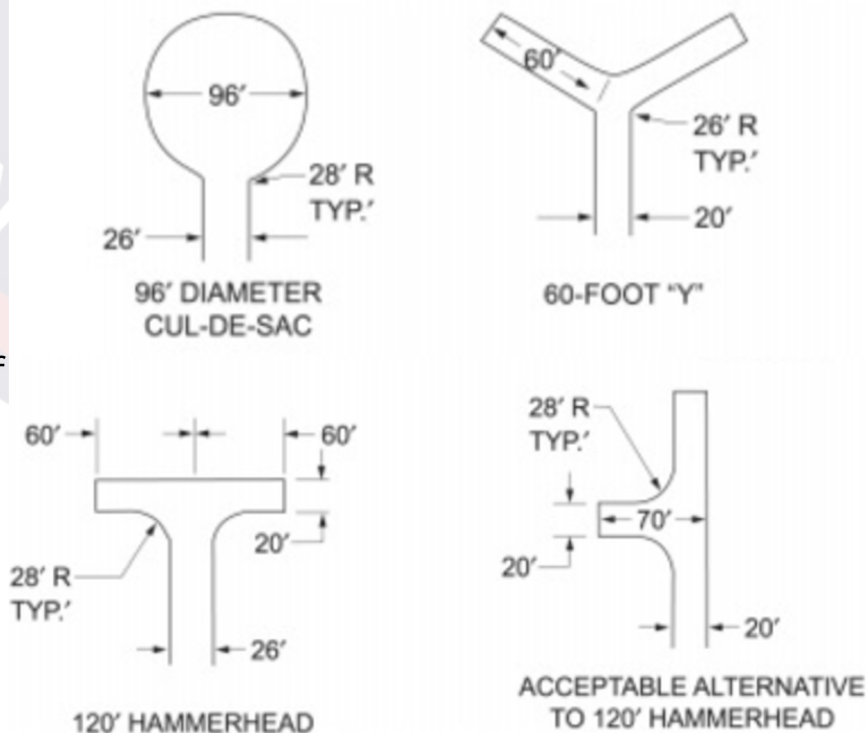
### Fire Lane Markings



- Fire lane striping shall be an 8-inch red stripe with 4- inch white letters
- FIRE LANE NO PARKING TOW AWAY ZONE shall be spaced every 15ft
- Fire lane shall be continuous including all curb ends and behind parking spaces.

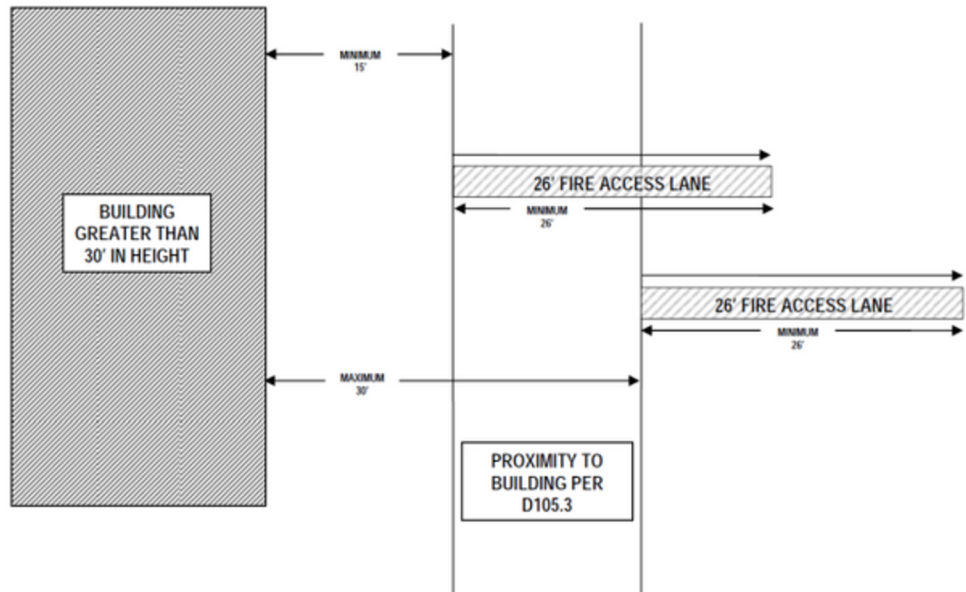
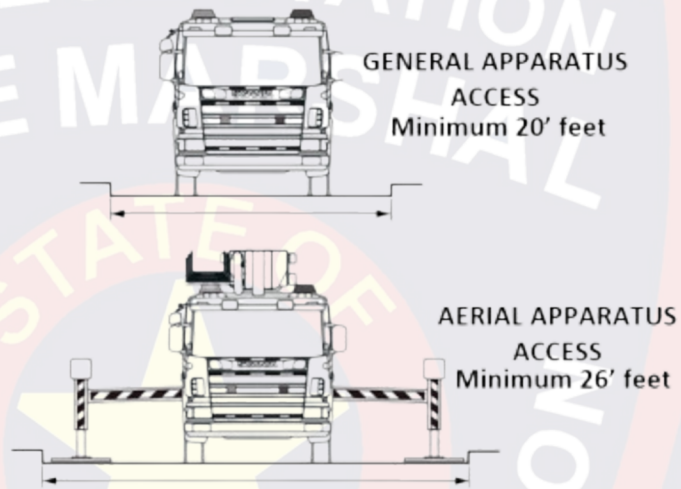
### Approved Turnaround

Turnarounds are needed for dead-end fire access roads in excess of 100ft



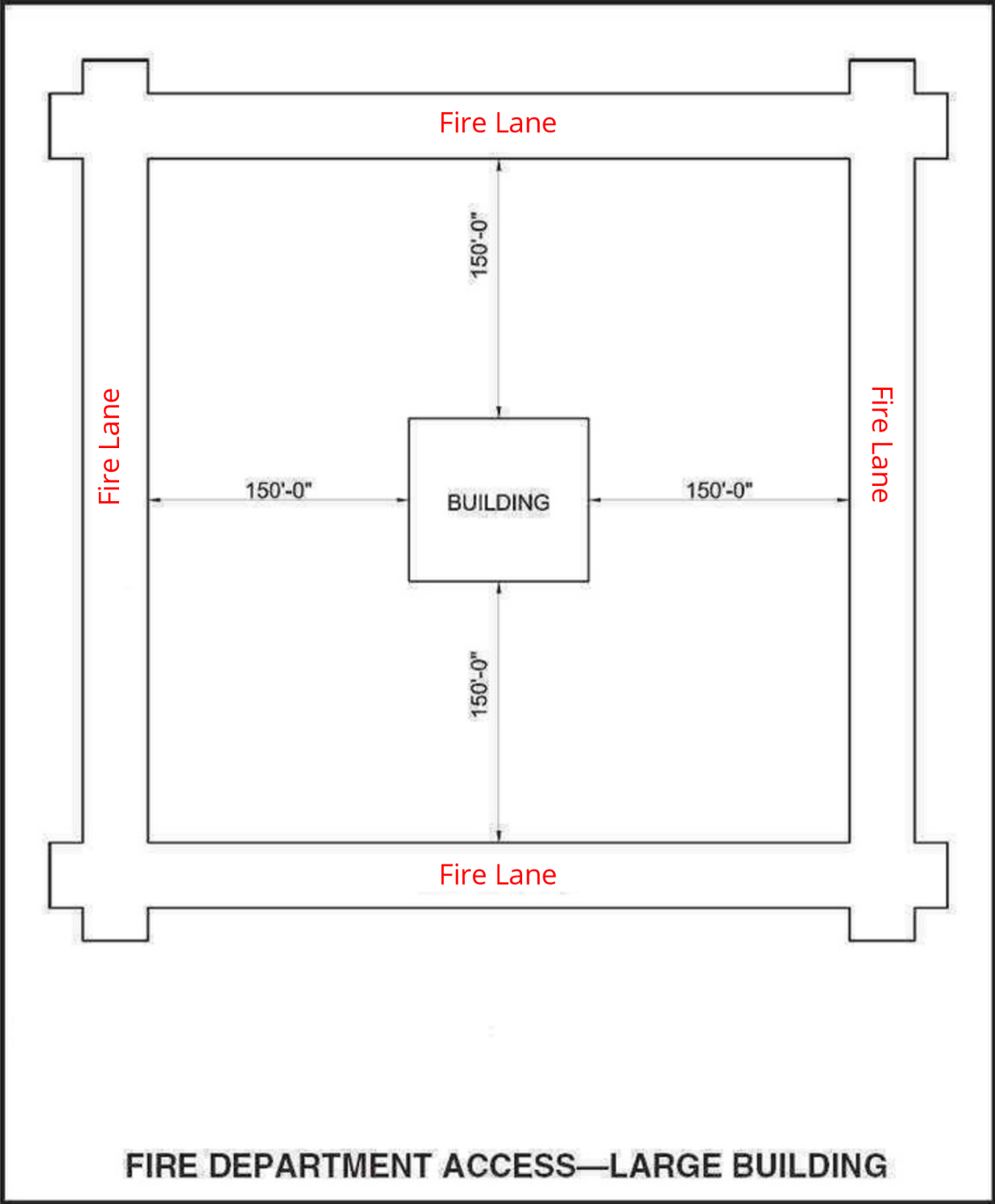
Where the vertical distance between the grade plane and the highest roof surface exceeds 30 feet (9144 mm), approved aerial fire apparatus access roads shall be provided. For purposes of this section, the highest roof surface shall be determined by measurement to the eave of a pitched roof, the intersection of the roof to the exterior wall, or the top of parapet walls, whichever is greater.

**Aerial Access**



# FIRE LANES FIRE APPARATUS ACCESS ROADS DIAGRAMS

Figure 1, Large Building

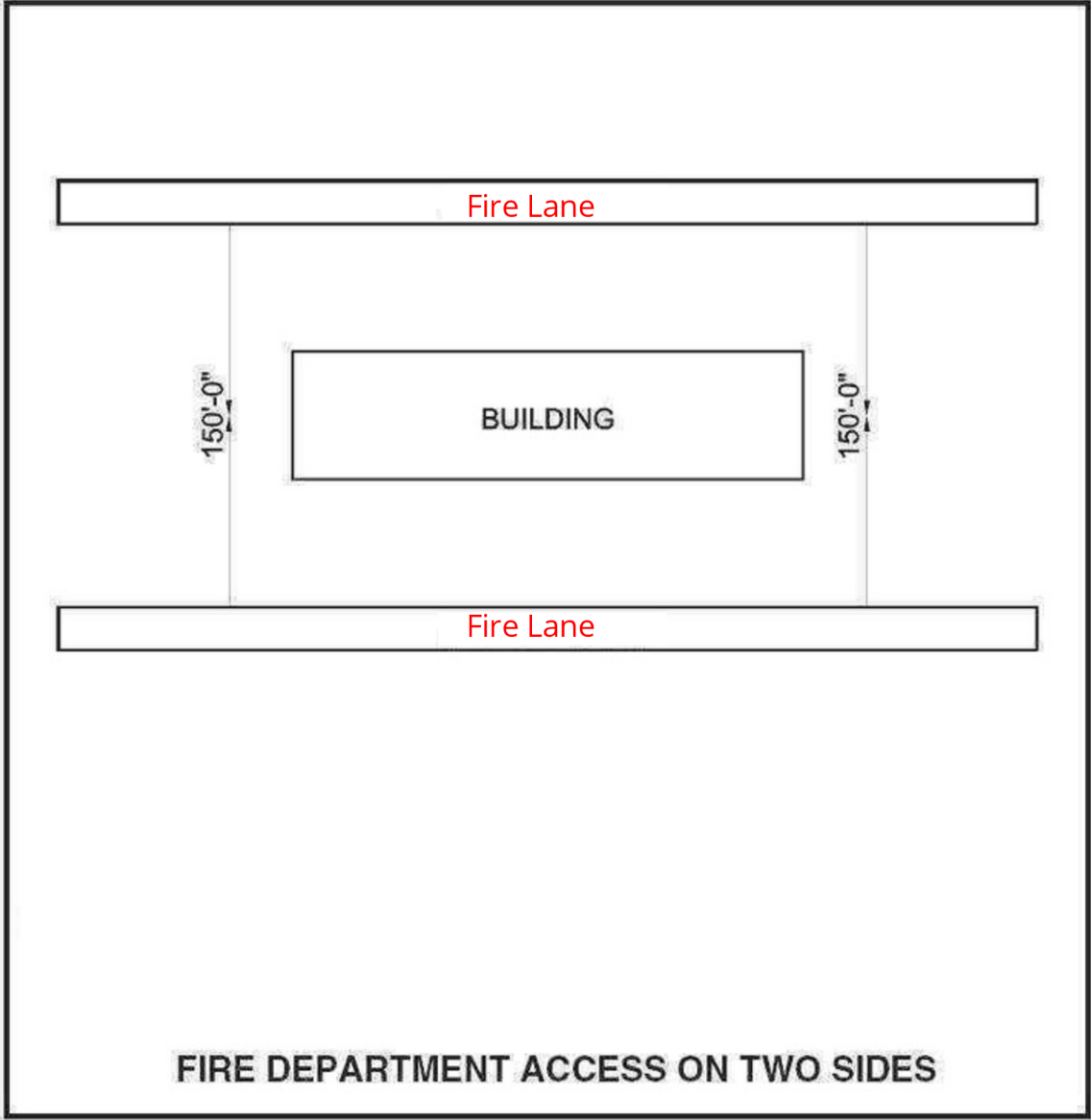


NOT TO SCALE

**FIRE LANES  
FIRE APPARATUS ACCESS ROADS DIAGRAMS**

---

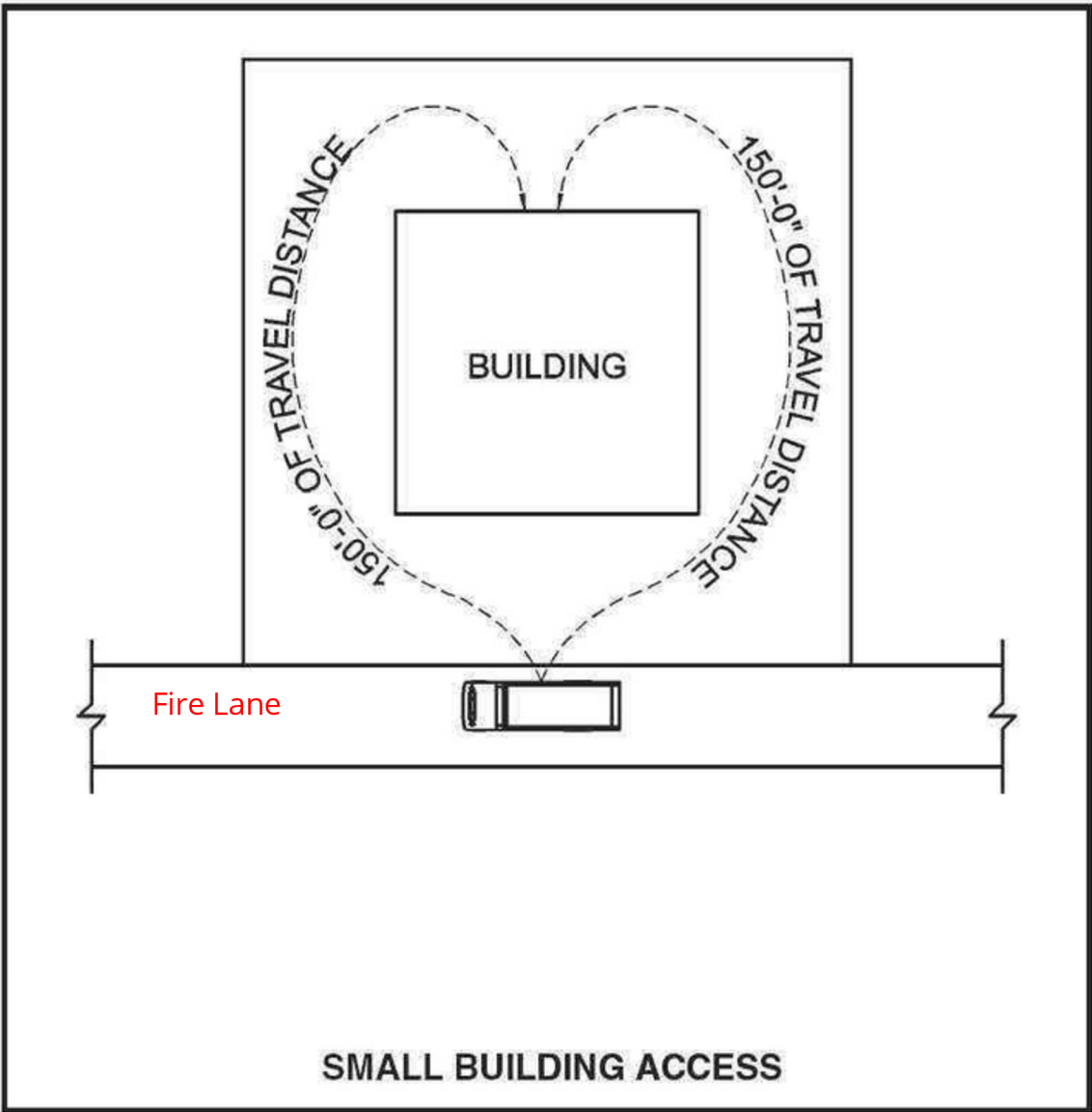
Figure 2, Two Sides



NOT TO SCALE

**FIRE LANES  
FIRE APPARATUS ACCESS ROADS DIAGRAMS**

Figure 3, Small Building



NOT TO SCALE